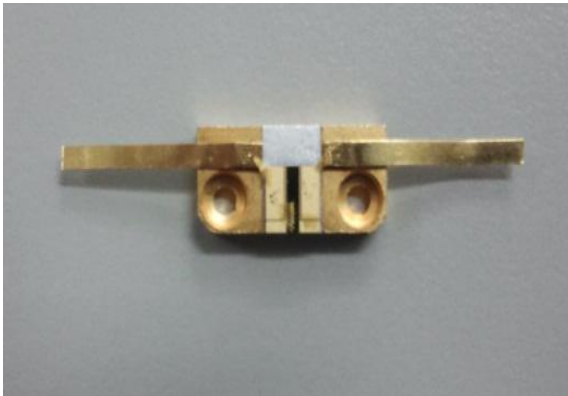


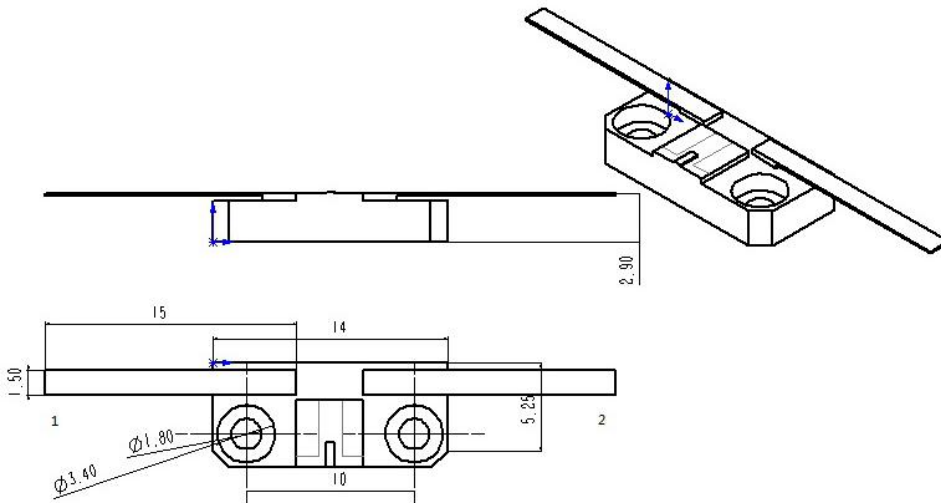
808nm 8W Laser Diode



详细参数:

| | 参数 (25°C) | 符号 | 单位 | 数值 |
|------|---------------------|-----------------|-------|------------|
| 光学参数 | Output (CW) | P_0 | W | 8 |
| | Wavelength | λ_c | nm | 808 |
| | | - | nm | ± 5 |
| | FWHM | $\Delta\lambda$ | nm | < 3 |
| | WTR | - | nm/°C | ~ 0.3 |
| 电参数 | Working current | I_{op} | A | 9 |
| | Threshold current | I_{th} | A | 1.4 |
| | Transfer efficiency | η | % | 50 |
| | Slope efficiency | η_D | W/A | 1.1 |
| | Working voltage | V_{op} | V | 2.1 |

Dimension (mm):



| | |
|---|--------|
| 1 | LD (-) |
| 2 | LD (+) |

N

Note:

- 1、 Use the LD under the suitable current and voltage
- 2、 Stable power supply needed. Avoiding wave pulse
- 3、 Add heatsink on the laser, working temp: 10°C ~ 30°C
- 4、 Avoid pointing to the eyes and skin directly

