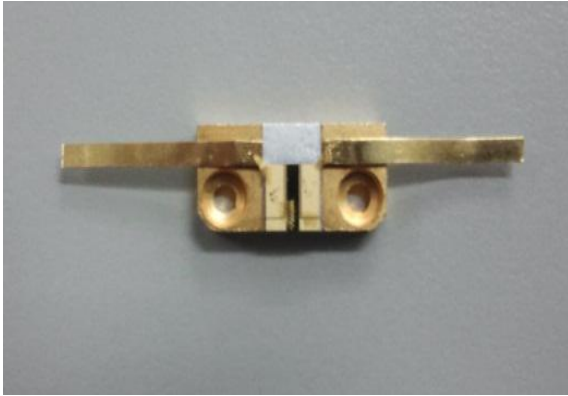


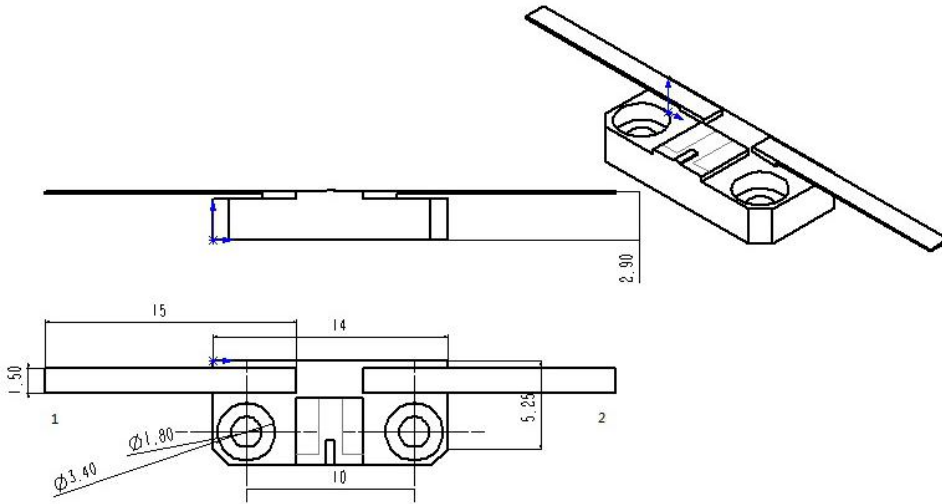
## 808nm 15W Laser Diode



### 详细参数:

	参数 (25°C)	符号	单位	数值
光学参数	Output (CW)	$P_0$	W	15
	Wavelength	$\lambda_c$	nm	808
		-	nm	$\pm 5$
	FWHM	$\Delta\lambda$	nm	$< 3$
	WTR	-	nm/°C	$\sim 0.3$
			TM	
	Slow axis divergence			10
	Fast axis divergence			40
电参数	Working current	$I_{op}$	A	12
	Threshold current	$I_{th}$	A	1.8
	Transfer efficiency	$\eta$	%	50
	Slope efficiency	$\eta_D$	W/A	1.1
	Working voltage	$V_{op}$	V	2.3

Dimension (mm):



1	LD (-)
2	LD (+)

N

ote:

- 1、 Use the LD under the suitable current and voltage
- 2、 Stable power supply needed. Avoiding wave pulse
- 3、 Add heatsink on the laser, working temp: 10°C ~ 30°C
- 4、 Avoid pointing to the eyes and skin directly
- 5、

